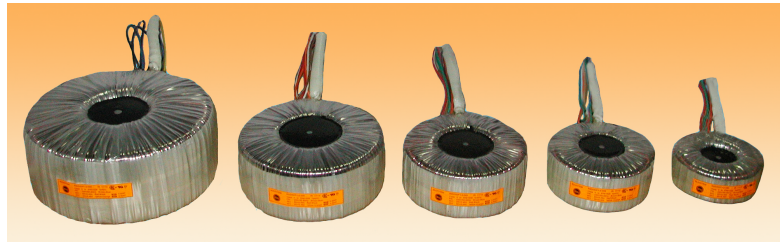




MEDICAL GRADE ISOLATION TRANSFORMERS

Features

- Power Rating 50VA to 3000 VA
- Dual Primary and Dual Secondary windings
- Frequency 50-60Hz
- Isolation 5KVrms Primary-Secondary
- Creepage Distance minimum 8mm
- Leakage Current < 100µA
- Tolerance ±3% on load
- Various Mounting Methods available
- Recognized to UL60601-1 (Agency Reference - XORU2.E251176 & XORU8.E251176)
- Inbuilt Thermal Protection
- Magnetic Shield to minimize Strayfield Emission (**Optional**)
- Class B Insulation System
- Safety requirements conforms to IEC 601-1 Class I & II equipment
- RoHS Compliant : 2011/65/EU/ (RoHS 2)
- REACH Compliant (EC 1907/2006)



Ratings Table

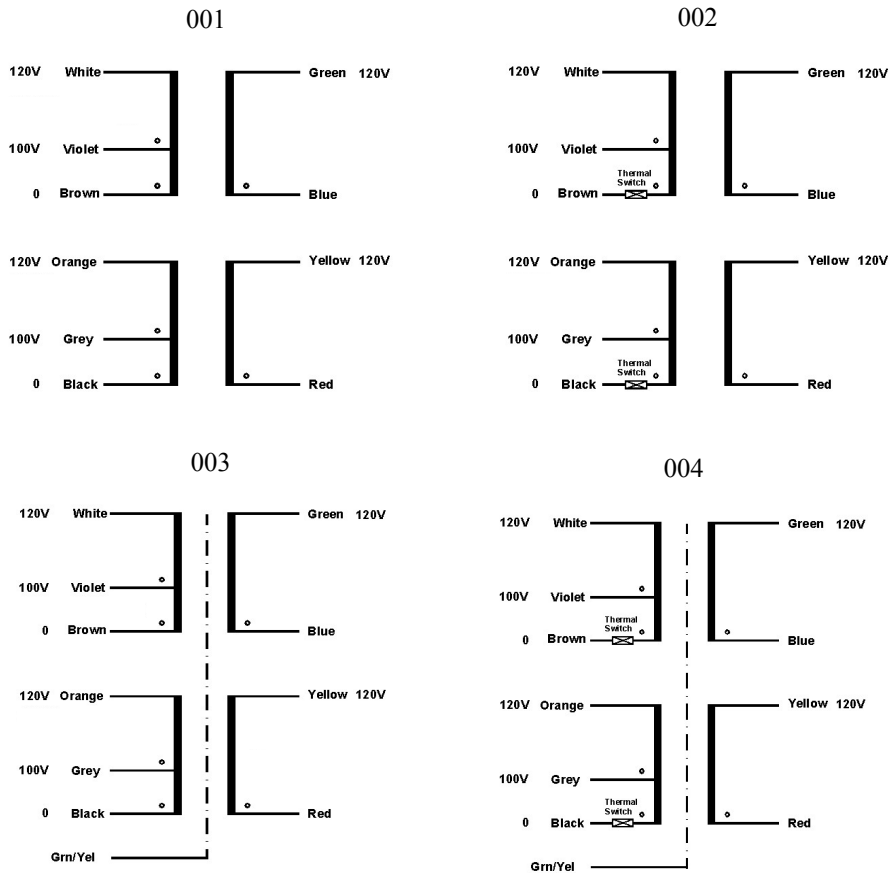
Transformer Part Number	Power (VA)	Secondary Ratings		No Load Voltage (V)	Physical Dimensions **		Weight ** (KG)
		120 VAC A (rms)	240 VAC A (rms)		OD (mm)	HT (mm)	
	0050MD-X-00Y	50	0.42		0.21	2x135.5	81
0100MD-X-00Y	100	0.83	0.42	2x131.9	99	41	1.1
0200MD-X-00Y	200	1.67	0.83	2x129.1	117	56	2.3
0230MD-X-00Y	230	1.92	0.96	2x128.8	117	61	2.4
0300MD-X-00Y	300	2.50	1.25	2x127.5	127	62	2.8
0350MD-X-00Y	350	2.92	1.46	2x126.7	132	58	3.0
0400MD-X-00Y	400	3.33	1.67	2x126.4	132	64	3.4
0500MD-X-00Y	500	4.17	2.08	2x125.6	134	70	4.3
0600MD-X-00Y	600	5.00	2.50	2x125.4	150	70	4.7
0650MD-X-00Y	650	5.42	2.71	2x125.2	157	70	5.1
0760MD-X-00Y	760	6.33	3.17	2x124.8	160	71	5.9
0800MD-X-00Y	800	6.67	3.33	2x124.4	165	72	6.1
1000MD-X-00Y	1000	8.33	4.17	2x124.6	168	80	8.2
1200MD-X-00Y	1200	10.00	5.00	2x123.5	183	81	10.0
1500MD-X-00Y	1500	12.50	6.25	2x123.4	200	90	11.8
1800MD-X-00Y	1800	15.00	7.50	2x123.7	206	94	13.6
2000MD-X-00Y	2000	16.67	8.33	2x122.8	215	105	15.5
2500MD-X-00Y	2500	20.83	10.42	2x123.3	240	115	21.0
3000MD-X-00Y	3000	25.00	12.50	2x121.9	265	120	26.0

** Physical dimensions and weight given are approximate



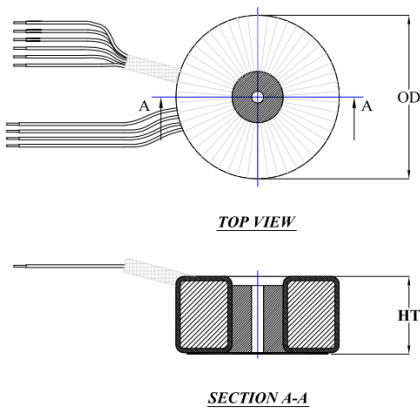
MEDICAL GRADE ISOLATION TRANSFORMERS

Schematic

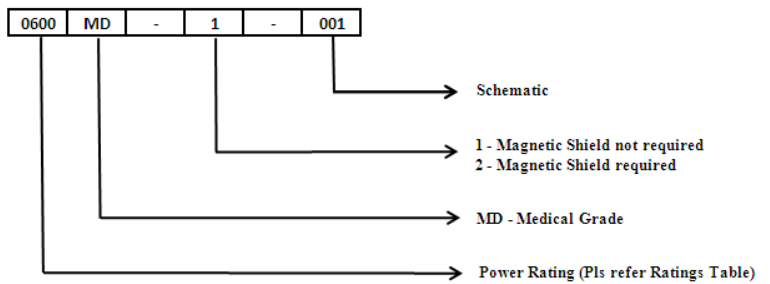


Schematic	Construction	Functional Earth	Thermal Protection
001	Reinforced insulation	No	No
002	Reinforced insulation	No	Yes (Internal, in-line)
003	Reinforced insulation	Yes	No
004	Reinforced insulation	Yes	Yes (Internal, in-line)

Mechanical Specification



Ordering Code



Mounting

- Center-potted with through hole
- Metal Disc and Insulating pads (**Optional**)